



238 Pillow Street  
Butler, PA 16001  
724-283-4681  
724-283-5939 (fax)  
www.bwieagle.com

# PRODUCT INFORMATION BULLETIN

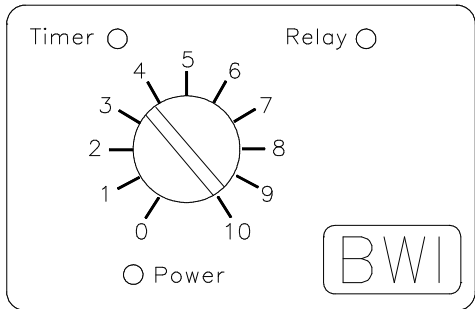
## DELAY TIMER OFF Delay Series MODELS 22-6700

### INSTALLATION

1. DISCONNECT AC power before proceeding with installation
2. Mount the Eagle Delay Timer in an existing control panel or other suitable protective enclosure.
3. Make the following connections on the socket:

TERMINAL	CONNECTION
1 - 2	Control Input (Momentary Dry Contacts or Switch)
3 - 4	No Connection
5 - 6	120 VAC Input
7	Relay N/C (1)
8	Relay Common (1)
9	Relay N/O (1)
10	Relay N/C (2)
11	Relay Common (2)
12	Relay N/O (2)

### CONTROLS AND INDICATORS

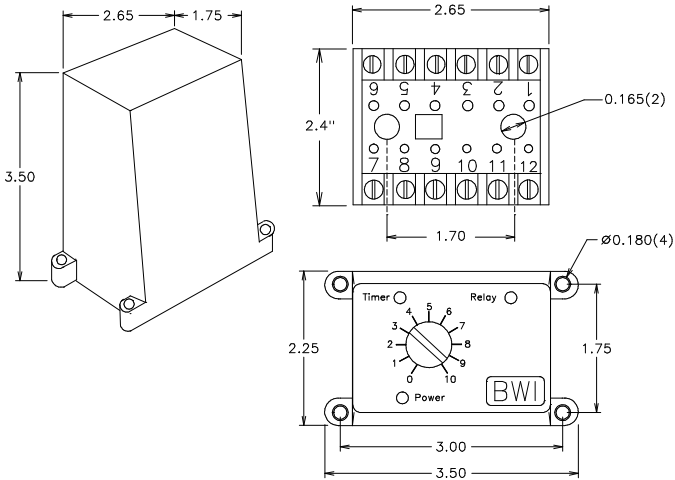


**POWER LED** - Indicates that the 120 VAC is applied to unit.

**TIMER LED** - When illuminated, indicates that the timing cycle is active.

**RELAY LED** - When illuminated, indicates the control relay is energized.

### DIMENSIONS



### OPERATION

Model 22-6700
Once AC power is applied to the unit, the power LED will illuminate. When the normally open contacts installed on Terminal Nos. 1 & 2 close (momentary), the relay will energize and the "timer" LED will illuminate. The timer will continue until it has reached the end of the timing cycle (0 - 50 seconds). At this time, the relay will de-energize. This cycle will start over when the input contacts have momentarily been closed again. <b>NOTE:</b> The timer adjustment scale is shown as 0 - 10. This represents 0 - 100% of the maximum timing cycle. Example: 0 = 0 seconds; 5 = 25 seconds; 10 = 50 seconds.

### SPECIFICATIONS & REPLACEMENT PARTS

Model 22-6700 Specifications	
AC Input	120 VAC 8 W
Fuse Protected	1 amp
Timer Range	Off Delay (0 - 50 Seconds)
Relay Contacts	DPDT 3 amp @ 120 VAC
Control Input	Momentary Dry Contacts or Switch
Enclosure	ABS Plastic
Replacement Parts	
Control Module	22-6702
Socket	22-8003