



238 Pillow Street
Butler, PA 16001
724-283-4681
724-283-5939 (fax)
www.bwieagle.com

PRODUCT INFORMATION BULLETIN

DELAY TIMER ON Delay Timer MODEL 22-6110

INSTALLATION

1. DISCONNECT AC power before proceeding with installation.
2. Mount the Eagle Delay Timer in an existing control panel or other suitable protective enclosure.
3. Make the following connections on the socket:

TERMINAL	CONNECTION
1 - 2	Control Input (Dry Contacts or Switch)
3 - 4	No Connection
5 - 6	120 VAC Input
7	Relay #2 - N/C - 3 Second Delay
8	Relay #2 - Common - 3 Second Delay
9	Relay #2 - N/O - 3 Second Delay
10	Relay #1 - N/C
11	Relay #1 - Common
12	Relay #1 - N/O

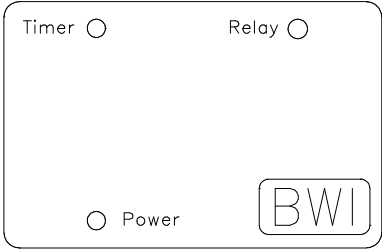
OPERATION

The EAGLE DELAY TIMERS can be configured for 2 different modes of operation. With a jumper installed across Terminals 1 and 2 on the socket, the Timer will operate the same as "conventional" on delay timers.
EXAMPLE: When 120VAC is applied to the unit, the timer light will illuminate, indicating the delay is active. After the time has expired (0 - 50 seconds), the Relay LED will come on indicating the relay has energized. Removing the AC power will reset the unit. Re-applying 120VAC will start the cycle again.

The second mode of operation utilizes the control input (Terminals 1 and 2) to control when the "on delay" is activated and reset. By installing a remote switch or relay contacts from another control device, the Timer will function per the following example. When 120VAC is applied to the unit, the timing cycle will not be active. When the unit receives a signal from a switch or relay contact closure, the timing cycle will begin. If the remote signal continues for the duration of the timing cycle, the timer's relay will energize. The unit will reset when either the remote signal is removed or the AC power is removed from the unit.

This model has two individual output relays. The second relay, Relay #2, will energize 3 seconds after Relay #1. This allows operation in circuits requiring a "make" before "break" configuration.

CONTROLS AND INDICATORS

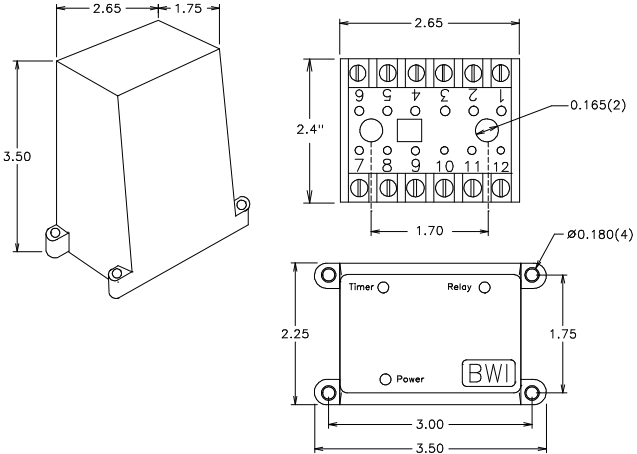


POWER LED - Indicates that the 120 VAC is applied to unit.

TIMER LED - When illuminated, indicates that the timing cycle is active.

RELAY LED - When illuminated, indicates the control relay is energized.

DIMENSIONS



Model 22-6110 Specifications	
AC Input	120 VAC 8 W
Fuse Protected	1 amp
Timer #1 Range	10 Seconds On Delay Preset
Timer #2 Range	13 Seconds On Delay Preset
Relay #1 Contacts	SPDT 3 amp @ 120 VAC
Relay #2 Contacts	SPDT 3 amp @ 120 VAC
Control Input	Dry Contacts or Switch
Enclosure	ABS Plastic
Replacement Parts	
Control Module	22-6112
Socket	22-8003