



238 Pillow Street
Butler, PA 16001
724-283-4681
724-283-5939 (fax)
www.bwieagle.com

PRODUCT INFORMATION BULLETIN

DELAY TIMER ON Delay Series MODEL 22-6210

INSTALLATION

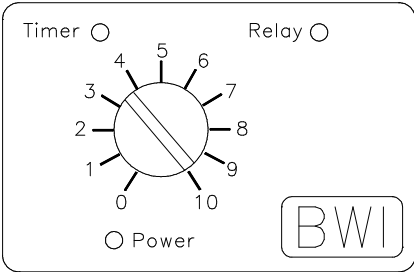
1. DISCONNECT AC power before proceeding with installation
2. Mount the Eagle Delay Timer in an existing control panel or other suitable protective enclosure.
3. Make the following connections on the socket:

TERMINAL	CONNECTION
1 - 2	Control Input (Dry Contacts or Switch)
3 - 4	No Connection
5 - 6	120 VAC Input
7	Relay N/C (1)
8	Relay Common (1)
9	Relay N/O (1)
10	Relay N/C (2)
11	Relay Common (2)
12	Relay N/O (2)

OPERATION

Once AC power is applied to the unit, the power LED will illuminate. When the normally open contacts installed on Terminal Nos. 1 & 2 close, the timer relay will energize and the timer LED will illuminate. The timing cycle will continue until it has reached the end of the cycle (2 - 10 minutes) At this time, the relay will de-energize. The timing cycle will begin again when another contact closure is detected at terminals 1 & 2 **NOTE:** The timer adjustment scale is shown as 0 - 10. This represents 0 - 100% of the maximum timing cycle. Example: 0 = 2 minutes (min); 5 = 6 minutes; 10 = 10 minutes (max).

CONTROLS AND INDICATORS

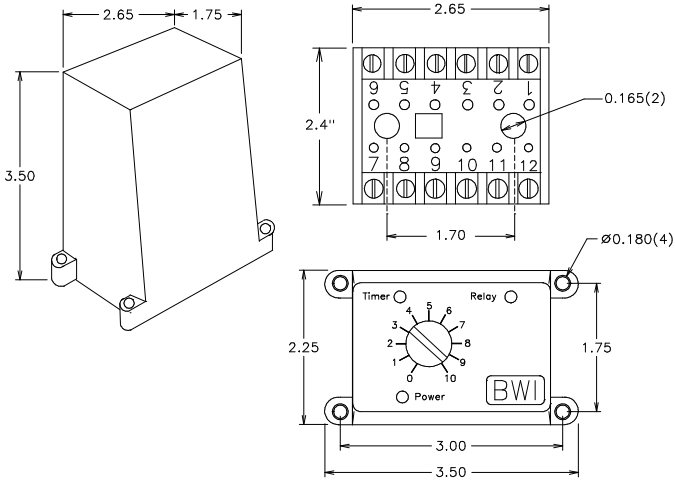


POWER LED - Indicates that the 120 VAC is applied to unit.

TIMER LED - When illuminated, indicates that the timing cycle is active.

RELAY LED - When illuminated, indicates the control relay is energized.

DIMENSIONS



SPECIFICATIONS & REPLACEMENT PARTS

Model 22-6210 Specifications	
AC Input	120 VAC 8 W
Fuse Protected	1 amp
Timer Range	On Delay (2 - 10 Minutes)
Relay Contacts	DPDT 3 amp @ 120 VAC
Control Input	Dry Contacts or Switch
Enclosure	ABS Plastic
Replacement Parts	
Control Module	22-6212
Socket	22-8003