



238 Pillow Street
Butler, PA 16001
724-283-4681
724-283-5939 (fax)
www.bwieagle.com

PRODUCT INFORMATION BULLETIN

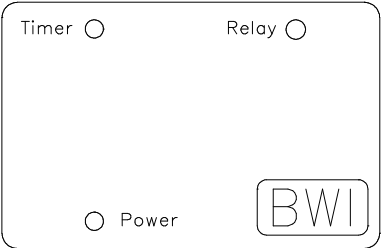
SEQUENCE TIMER MODEL 22-6800

INSTALLATION

1. DISCONNECT AC power before proceeding with installation.
2. Mount the EAGLE SEQUENCE TIMER in an existing control panel or other suitable protective enclosure.
3. Make the following connections on the socket:

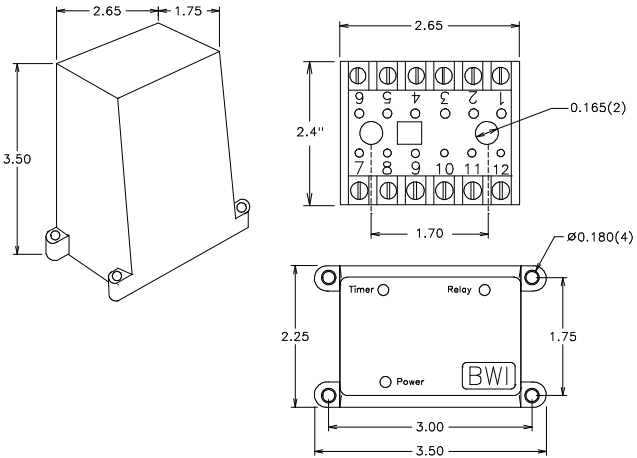
TERMINAL	CONNECTION
1 - 2	Control Input (Dry Contacts or Switch)
3 - 4	No Connection
5 - 6	120 VAC Input
7	Relay N/C (1)
8	Relay Common (1)
9	Relay N/O (1)
10	Relay N/C (2)
11	Relay Common (2)
12	Relay N/O (2)

CONTROLS AND INDICATORS



- POWER LED** - Indicates that the 120 VAC is applied to unit.
- TIMER LED** - When illuminated, indicates that the timing cycle is active.
- RELAY LED** - When illuminated, indicates the control relay is energized.

DIMENSIONS



Allow for 5.25 In. Total Height with Module in Socket

SPECIFICATIONS

AC Input	120 VAC 8 W
Fuse Protected	1 amp
Timer Range	Preset @ 30 Pulses/Minute
Relay #1 Contacts	DPDT 10 amp @ 120 VAC
Control Input	Dry Contacts or Switch
Enclosure	ABS Plastic

REPLACEMENT PARTS

Control Module	22-6802
Mounting Socket	22-8003

DOCUMENT DATE: 2-May-02



238 Pillow Street
Butler, PA 16001
(724) 283-4681
Fax (724) 283-5939
www.bwieagle.com