



105 Bonnie Drive
Butler, PA 16002
724-283-4681
724-283-5939 (fax)
www.bwieagle.com

PRODUCT INFORMATION BULLETIN

AIR-EAGLE® SR 2.4 GHz RF Receiver MODEL 38HC-2000

DESCRIPTION

The AIR-EAGLE SR is an RF system designed for short to medium range wireless remote control of electrical apparatus in a variety of industrial applications. Systems can consist of any number of receivers and handheld or contact input transmitters working together. This receiver is equipped with 3 independent relays that can switch 20 amps @ 120VAC or 30VDC. The relays are user programmable for momentary or toggle/latching operation and can be directly interfaced with the customer's equipment or P.L.C. Eight user selectable frequencies allow multiple systems to be used in the same area. Capable of receiving remote signals transmitted from up to 600 feet away, the Air-Eagle SR Receiver utilizes spread-spectrum technology and provides the utmost in security and reliability.

APPROVALS

United States (FCC)	OUR-XBEEPRO
Canada (IC)	4214A-XBEEPRO
Europe (CE)	ETSI

APPLICATIONS

Doors, gates, barriers, tail gates, electrically controlled hydraulic valves, propane shut off controls, winches, anchor lifts, lights, sprinkling systems, movie screens, curtains, news weather screens, alarm systems, skeet throwers, saw mill applications, grain or aggregate chutes, conveyor belts, boat lifts, and more.

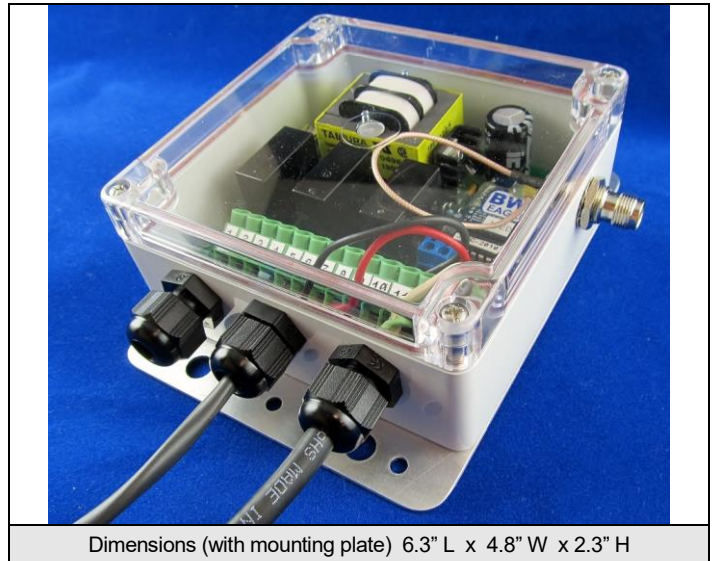
INSTALLATION

DISCONNECT AC Power from all equipment before installation.

1. Mount the AIR-EAGLE SR RECEIVER in a convenient location.
2. Install antenna. The unit has an antenna connector located on the right side on the enclosure. Attach the supplied portable antenna to this connector.
3. Connect supplied power input cable to your external power source.

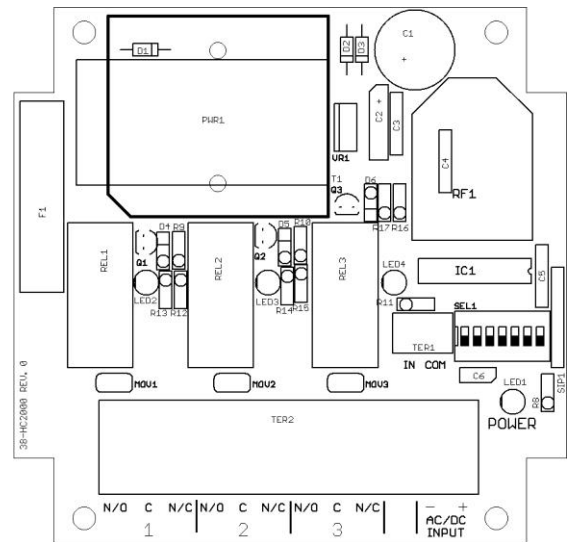
TERMINAL STRIP WIRING

1	2	3	4	5	6	7	8	9	10	11	12
N/O Relay #1	C Relay #1	N/C Relay #1	N/O Relay #2	C Relay #2	N/C Relay #2	N/O Relay #3	C Relay #3	N/C Relay #3	Not Used	120VAC (Neutral)	120VAC (Hot)



Dimensions (with mounting plate) 6.3" L x 4.8" W x 2.3" H

CONTROLS AND INDICATORS



POWER LED	Illuminates while receiver is powered on
LED2	Illuminates when relay #1 is energized
LED3	Illuminates when relay #2 is energized
LED4	Illuminates when relay #3 is energized
RF1	RF module that receives data from the remote transmitter
REL1 thru REL3	High current SPDT output control relays
SEL1	Seven dip switches for selecting relay options and operating frequency

AIR-EAGLE® SR

2.4 GHz RF Receiver

MODEL 38HC-2000

RELAY & FREQUENCY SET-UP

The unit is shipped from the factory with SEL1 switches in the open positions. All three relays will operate as maintained momentary and unit is receiving commands on frequency one. If you wish to change these default settings, follow the instructions on the table below.

- 1) Remove power from unit
- 2) Remove top cover.
- 3) Select desired relay operation and/or network frequency using table below.
- 4) Reattach cover and apply power.
- 5) Programming is now complete.

RELAY CONFIGURATION

SEL1 SWITCH NUMBER	OPEN	CLOSED
SW1	Relay #1 momentary (default)	Relay #1 toggle/latch
SW2	Relay #2 momentary (default)	Relay #2 toggle/latch
SW3	Relay #3 momentary (default)	Relay #3 toggle/latch

Maintained Momentary – Relay mimics button or input – when depressed or closed, relay will be energized; when released, relay de-energizes

Toggle Latch – Relay changes (and holds) its state each time the corresponding button or input is depressed or closed.

SW4	NOT USED	
-----	----------	--

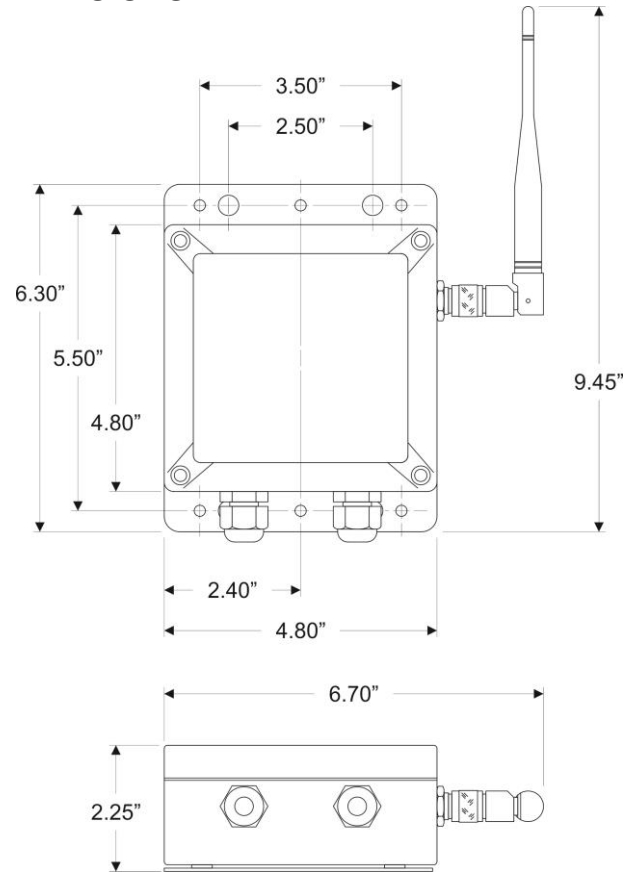
FREQUENCY SET-UP

	Network Frequency	SW5	SW6	SW7
SEL1 (SW5-7)	1 (default)	OPEN	OPEN	OPEN
	2	CLOSED	OPEN	OPEN
	3	OPEN	CLOSED	OPEN
	4	CLOSED	CLOSED	OPEN
	5	OPEN	OPEN	CLOSED
	6	CLOSED	OPEN	CLOSED
	7	OPEN	CLOSED	CLOSED
	8	CLOSED	CLOSED	CLOSED

SPECIFICATIONS

AC Input	120 VAC, 16 W, 50/60 Hz
Relay Contacts	SPDT 20 amp @ 120VAC or 30VDC
Fuse Protected	1 amp
Receiver Frequency	2.4 GHz Spread Spectrum
Receiver Range	Up to 600 Feet
Note: Range figures are estimates, based on free-air terrain with limited sources of interference. Actual range will vary based on transmitting power, orientation of transmitter and receiver, height of transmitting antenna, height of receiving antenna, weather conditions, interference sources in the area, and terrain between receiver and transmitter, including, but not limited to, indoor and outdoor structures such as walls, metal objects, trees, buildings, hills, and mountains.	
Receiver Channels	Eight independent network frequencies
Operating Temperature	-40° F to +185° F
Enclosure	Polycarbonate, IP66 (NEMA 4)
Weight	Approx 2 lbs.

DIMENSIONS



ACCESSORIES

Standard Antenna (Included):	
2.4GHz TNC "Rubber Duck" Antenna	49-1201
High Gain Antennas – Used to help achieve max range in both non line of sight and line of sight applications. - Contact BWI Eagle for recommendations	
2.4GHz Thru-Hole Mount Omni Directional Antenna	49-2201
2.4GHz Magnet Mount Omni Directional Antenna	49-2202
2.4GHz Omni Directional Antenna	49-3201
2.4GHz Yagi Antenna	49-3202
High Quality Coax Cables – Used to connect external high gain antennas to control unit	
Flex Coax Cable w/Connectors – Available in 5', 15', 25', 30', 40', 60', 80', 100' Lengths	49-4000-XX (XX = # of Feet)
Bulkhead Extensions – Used to provide an external antenna connection when mounting control unit inside another enclosure	
TNC Male to TNC Bulkhead Cable Assembly - Available in 2', 4', 7' Lengths	49-5004-X-ISO (X = # of Feet)

AIR-EAGLE® SR

2.4 GHz RF Receiver

MODEL 38HC-2000

LIMITED WARRANTY STATEMENT

BWI Eagle Inc. warrants the Air-Eagle Remote Control System, if properly used and installed, will be free from defects in material and workmanship for a period of 1 year after date of purchase. Said warranty to include the repair or replacement of defective equipment. This warranty does not cover damage due to external causes, including accident, problems with electrical power, usage not in accordance with product instructions, misuse, neglect, alteration, repair, improper installation, or improper testing. This limited warranty, and any implied warranties that may exist under state law, apply only to the original purchaser of the equipment, and last only for as long as such purchaser continues to own the equipment. This warranty replaces all other warranties, express or implied including, but not limited to, the implied warranties of merchantability and fitness for a particular purpose. BWI Eagle makes no express warranties beyond those stated here. BWI disclaims without limitation, implied warranties of merchantability and fitness for a particular purpose. Some jurisdictions do not allow the exclusion of implied warranties so this limitation may not apply to you. To obtain warranty service, contact BWI Eagle for a return material authorization. When returning equipment to BWI Eagle, the customer assumes the risk of damage or loss during shipping and is responsible for the shipping costs incurred.

DOCUMENT DATE: 02/25/2021 / PRODUCT REV. 1



105 Bonnie Drive
Butler, PA 16002
(724) 283-4681
Fax (724) 283-5939
www.bwieagle.com